

USB58

HIGH ACCURACY
TENSION / COMPRESSION TYPE LOAD CELL



Detachable cable Flexible cable

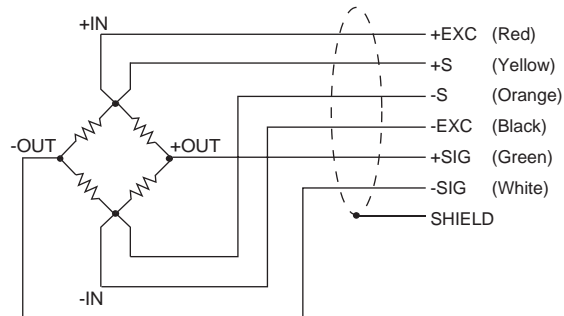
We have achieved non-linearity, hysteresis and repeatability of 1/10000.

Specifications

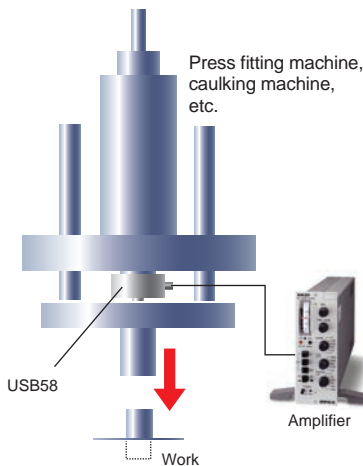
Model	USB58-200N, USB58-500N
Rated capacity	200 N, 500N
Rated output	1 mV/V±1%
Safe overload	150% R.C.
Zero balance	±2% R.O.
Non-linearity	0.01% or less R.O.
Hysteresis	0.01% or less R.O.
Repeatability	0.01% or less R.O.
Creep	0.03% R.O./30 min
Operation temperature range	-10 to +70°C
Safe temperature range	-30 to +80°C
Temperature effect on zero	0.03% R.O/10°C or below *1
Temperature effect on span	0.03% R.O/10°C or below *1
Input resistance	Approx. 1050
Output resistance	Approx. 1050
Recommended excitation voltage	10 V
Maximum excitation voltage	20 V
Insulation resistance (DC 50 V)	1000 M or more
Cable	φ5 6-conductor flexible cable 5 m Cable end: 7 wires
Load cell material	Aluminum alloy
RoHS directives	2011/65/EU (EU)2015/863

*1 Specification changed.

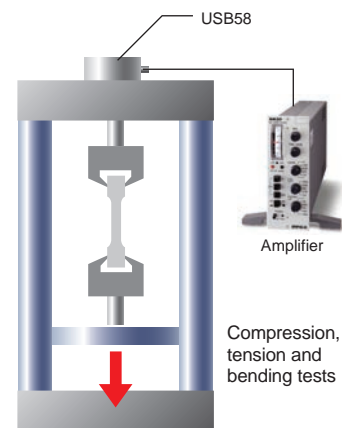
Wiring diagram



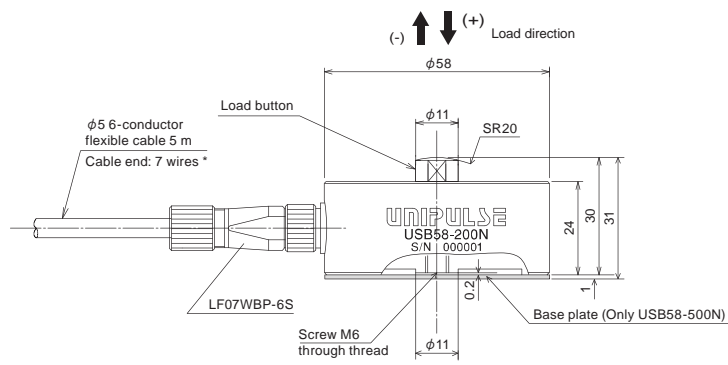
For calibration of high-precision machines



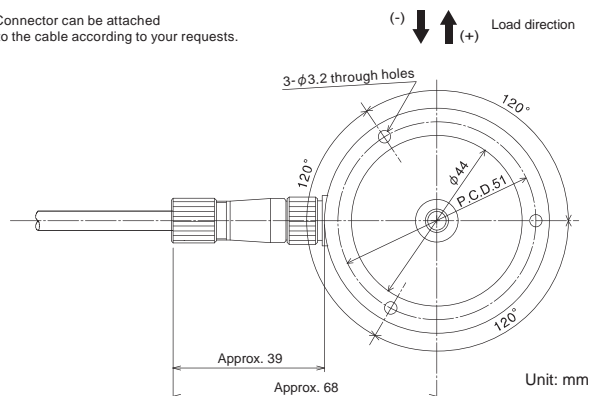
For material testing



External dimension



* Connector can be attached to the cable according to your requests.



Model	Deflection at rated	Natural frequency	Weight
USB58-200N	0.025 mm	2 kHz	120 g
USB58-500N	0.025 mm	2 kHz	120 g