



REAL SIZE

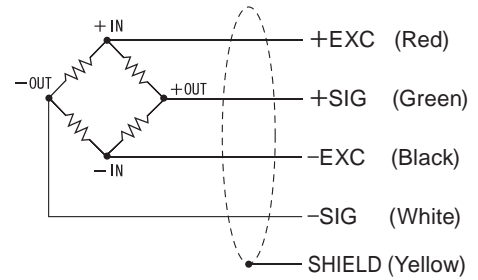
Special steel with high hardness  
Wear resistance is greatly improved  
Suitable for high cycle applications!



### Specifications

Model	ULS-2KN, ULS-5KN	ULS-2KN-FG, ULS-5KN-FG
Rated capacity	2 kN, 5 kN	
Rated output	Approx. 1 mV/V	
Safe overload	150% R.C.	
Zero balance	±10% R.O.	
Non-linearity	0.5% or less R.O.	1.0% or less R.O.
Hysteresis	0.3% or less R.O.	0.5% or less R.O.
Repeatability	0.1% or less R.O.	0.1% or less R.O.
Compensated temperature range	0 to +50°C	
Safe temperature range	0 to +60°C	
Temperature effect on zero	0.5% R.O./10°C or below	
Temperature effect on span	0.5% R.O./10°C or below	
Input resistance	Approx. 350	
Output resistance	Approx. 350	
Recommended excitation voltage	2.5 V	
Maximum excitation voltage	5 V	
Insulation resistance (DC 50 V)	1000 M or more	
Cable	φ3 4-conductor shield cable 2 m Cable end: 5 wires	
Load cell material	Special alloy steel	
RoHS directives	2011/65/EU (EU)2015/863	

### Wiring diagram



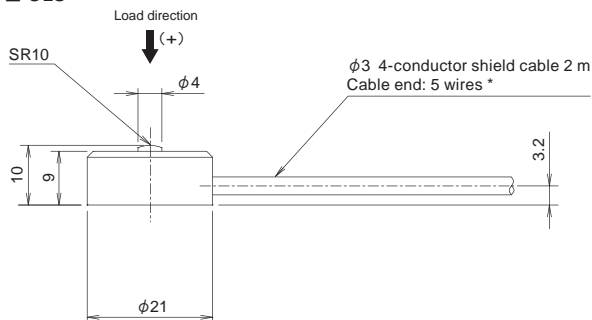
### ULS-FG

With fastening plate



### External dimension

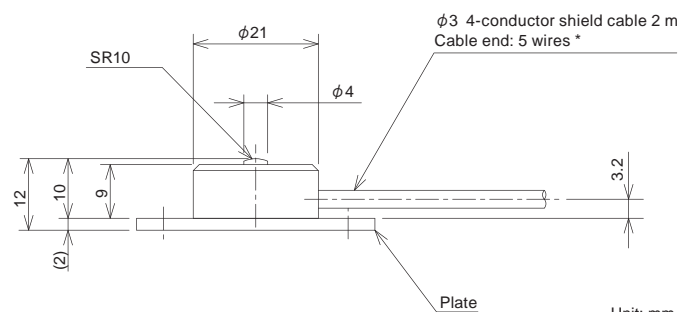
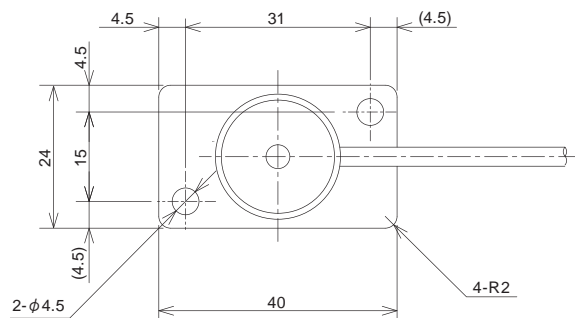
#### ULS



\* Connector can be attached to the cable according to your requests.

Model	Deflection at rated	Natural frequency	Weight
ULS-2KN	0.025 mm	98 kHz	20 g
ULS-2KN-FG			35 g
ULS-5KN	0.040 mm	102 kHz	20 g
ULS-5KN-FG			35 g

#### ULS-FG



Unit: mm