

UNCLB

TENSION / COMPRESSION TYPE LOAD CELL

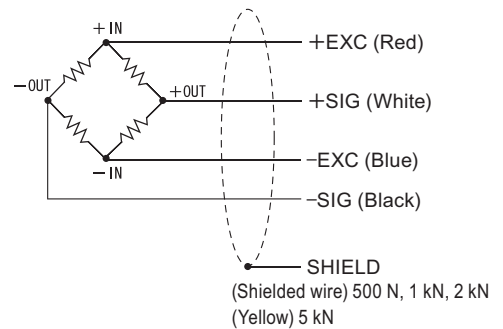


Specifications

Model	UNCLB-500N	UNCLB-1KN	UNCLB-2KN	UNCLB-5KN
Rated capacity	500 N	1 kN	2 kN	5 kN
Rated output	Approx. 0.5 mV/V	Approx. 1 mV/V	Approx. 1.5 mV/V	Approx. 2 mV/V
Safe overload		120% R.C.		150% R.C.
Zero balance	±10% R.O.			
Non-linearity	0.5% or less R.O.		0.15% or less R.O.	
Hysteresis	0.5% or less R.O.		0.15% or less R.O.	
Repeatability	0.3% or less R.O.		0.1% or less R.O.	
Compensated temperature range	-10 to +60°C			
Safe temperature range	-20 to +70°C			
Temperature effect on zero	0.5 R.O./10°C or below			
Temperature effect on span	0.5 R.O./10°C or below			
Input resistance	Approx. 350 Ω			
Output resistance	Approx. 350 Ω			
Recommended excitation voltage	2.5 V		10 V	
Maximum excitation voltage	6 V		15 V	
Insulation resistance (DC 50 V)	1000 MΩ or more			
Cable	φ3 4-conductor shield cable 3m Cable end: 5 wires *		φ6 4-conductor shield cable 5m Cable end: 5 wires	
Load cell material	Stainless steel			
RoHS directives *	2011/65/EU (EU)2015/863		-	

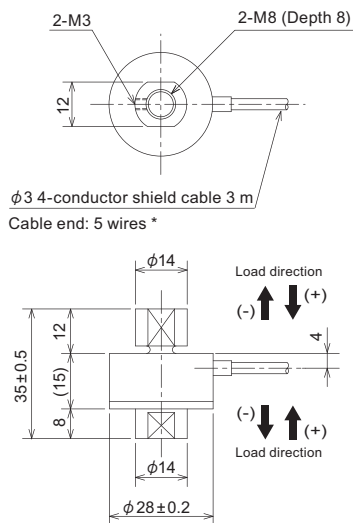
* Supported only for UNCLB-500N, 1KN and 2KN

Wiring diagram

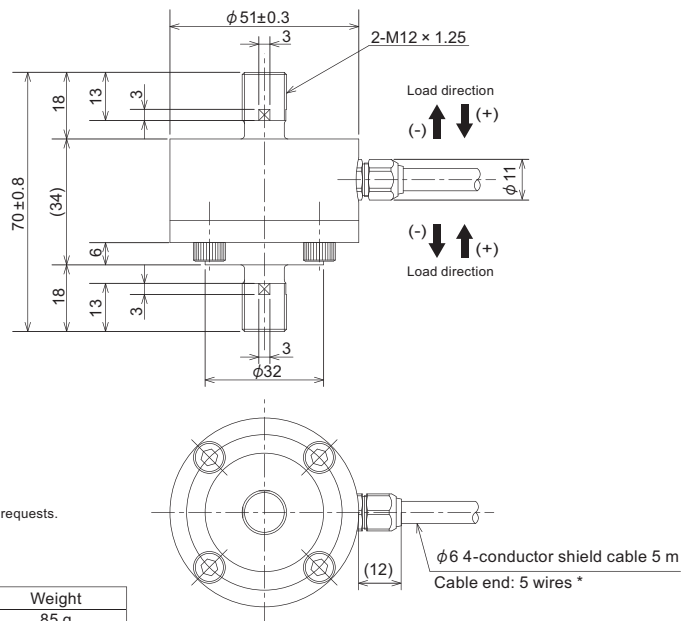


External dimension

UNCLB-500N/1KN/2KN



UNCLB-5KN



* Connector can be attached to the cable according to your requests.

Model	Deflection at rated	Natural frequency	Weight
UNCLB-500N	0.01 mm	16 kHz	85 g
UNCLB-1KN	0.02 mm	16 kHz	85 g
UNCLB-2KN	0.03 mm	19 kHz	85 g
UNCLB-5KN	0.06 mm	10 kHz	500 g

Unit: mm