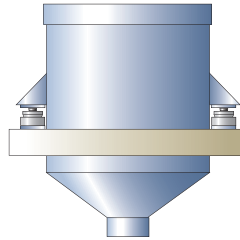


RTN LASER WELDED HERMETIC STRUCTURE

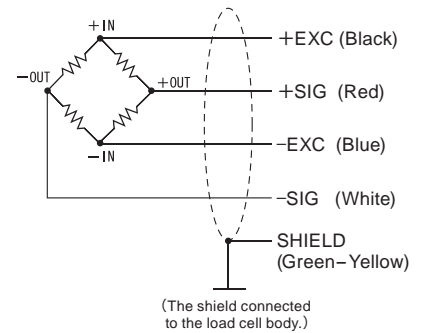


IP68

● Application example



● Wiring diagram

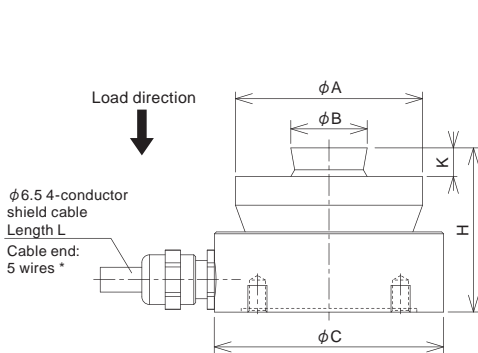


Specifications

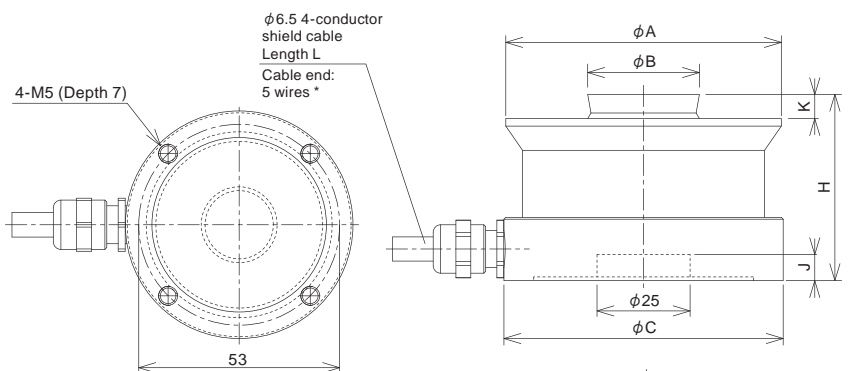
Model	RTNC3-1T	RTNC3-2.2T	RTNC3-4.7T	RTNC3-10T	RTNC3-15T	RTNC3-22T	RTNC3-33T	RTNC3-47T	RTNC3-68T	RTNC3-100T	RTNC3-150T	RTNC3-220T	RTNC3-330T	RTNC3-470T
Rated capacity	1 t	2.2 t	4.7 t	10 t	15 t	22 t	33 t	47 t	68 t	100 t	150 t	220 t	330 t	470 t
Rated output	2.85 mV/V±0.1%													
Maximum safe overload	4 t	9 t	19 t	40 t	60 t	88 t	130 t	190 t	270 t	400 t	600 t	770 t	1100 t	1500 t
Non-linearity	0.02% R.O. typ.													
Hysteresis	0.02% R.O. typ.													
Compensated temperature range	-10 to +40°C													
Safe temperature range	-30 to +80°C													
Temperature effect on zero	0.007% R.O./10°C													
Temperature effect on span	0.008% R.O./10°C typ.													
Input resistance	4450±100													
Output resistance	4010±0.5													
Recommended excitation voltage	5 V													
Excitation voltage range	5 to 30 V (Max. 60 V)													
Insulation resistance	20 G or more													
Degrees of protection	IP68													
Cable	φ6.5 4-conductor shield cable, Cable end: 5 wires													
Load cell material	Stainless steel													

External dimension

■ RTNC3-1T to 4.7T



■ RTNC3-10T to 470T



Model	Deflection at rated	Weight	A	B	C	H	J	K	L
RTNC3-1T	0.13 mm	0.6 kg	49	20	60	43	-	7.5	5 m
RTNC3-2.2T	0.12 mm	0.6 kg	49	20	60	43	-	7.5	5 m
RTNC3-4.7T	0.12 mm	0.7 kg	49	20	60	43	-	7.5	5 m
RTNC3-10T	0.17 mm	1.2 kg	74	30	75	50	7	6.5	5 m
RTNC3-15T	0.18 mm	1.3 kg	75	30	75	50	7	6.5	5 m
RTNC3-22T	0.21 mm	1.3 kg	75	30	75	50	7	6.5	15 m
RTNC3-33T	0.25 mm	2.1 kg	95	40	95	65	7	10	15 m
RTNC3-47T	0.33 mm	4.3 kg	130	60	130	75	7	14	15 m
RTNC3-68T	0.35 mm	4.8 kg	130	60	130	85	7	14	15 m
RTNC3-100T	0.45 mm	7.0 kg	150	70	150	90	7	16	15 m
RTNC3-150T	0.57 mm	8.6 kg	150	70	150	100	7	16	5 m
RTNC3-220T	0.67 mm	22 kg	225	100	225	130	10	24	5 m
RTNC3-330T	0.80 mm	29 kg	225	100	225	144	10	24	5 m
RTNC3-470T	1.00 mm	50 kg	270	120	270	170	10	28	5 m

* Connector can be attached to the cable according to your requests.

Unit: mm