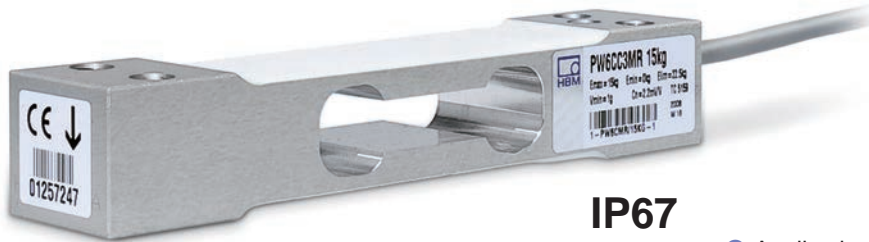
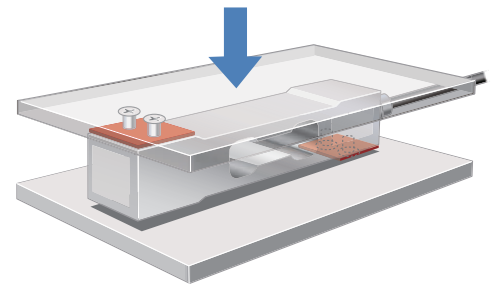


PW6C SINGLE POINT TYPE LOAD CELL



IP67

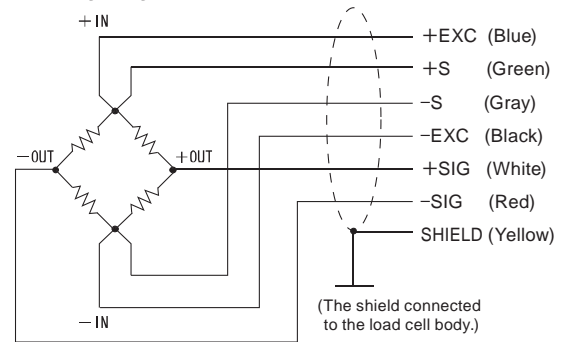
● Application example



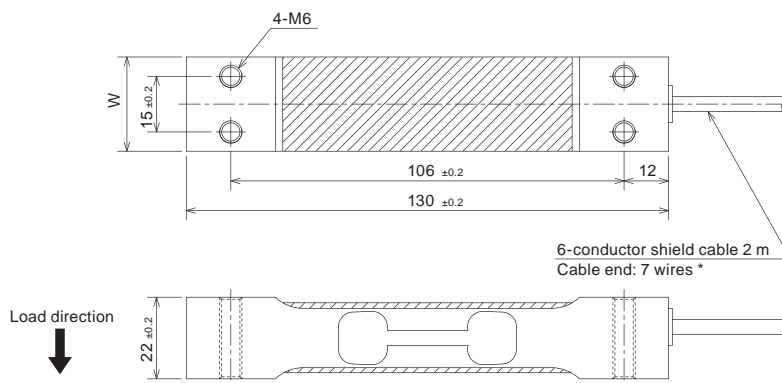
Specifications

Model	PW6C-5KG, PW6C-10KG, PW6C-20KG PW6C-30KG, PW6C-40KG
Rated capacity	5 kg, 10 kg, 20 kg, 30 kg, 40 kg
Rated output	2.2±0.2 mV/V
Safe overload	150% R.C.
Maximum safe side overload	300% R.C.
Zero balance	0 ± 0.12 mV/V
Non-linearity	0.0166% R.O. typ.
Hysteresis	0.0166% R.O. typ.
Compensated temperature range	-10 to +40°C
Safe temperature range	-10 to +50°C
Temperature effect on zero	0.0140% R.O./10°C (5/10/20 kg), 0.0093% R.O./10°C (30 kg) 0.0175% R.O./10°C (40 kg)
Temperature effect on span	0.0175% R.O./10°C (+20 to +40°C), 0.0117% R.O./10°C (-10 to +20°C)
Input resistance	300 to 500
Output resistance	300 to 500
Recommended excitation voltage	1 to 12 V
Insulation resistance	2000 M or more
Degrees of protection	IP67
Cable	6-conductor shield cable 2 m, Cable end: 7 wires
Load cell material	Aluminum

● Wiring diagram



External dimension



Unit: mm

Model	Deflection at rated	Natural frequency	Maximum off center distance	Maximum platform size	Weight	W
PW6C-5KG	0.5 mm or less	225 Hz	100 mm	300x300 mm	0.25 kg	25.4±0.2
PW6C-10KG		331 Hz				
PW6C-20KG		473 Hz				
PW6C-30KG		573 Hz				
PW6C-40KG		606 Hz				