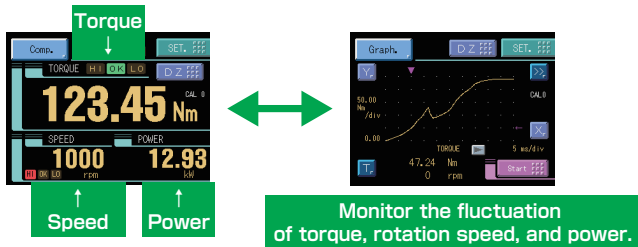


# TM700

## HIGH-SPEED TORQUE WAVEFORM MONITOR FOR UTMII/UTMV



- High-speed sampling at 20kS/s!!
- A torque curve monitor supporting the high response time of UTMII /UTMV (1kHz).
- Display the curves of torque, rotation speed, and power.
- Enable the cogging torque measurement with UTMII /UTMV .
- Upper/lower limits & hold function.
- Operation power can be supplied to the UTMII /UTMV .
- Easy connection to UTMII /UTMV with the supplied cable.
- Data recording with USB.



### Specifications

Torque input	• Voltage input
	Signal input range -5 to +5V Input impedance : 1M $\Omega$ or more
	Accuracy Non-linearity : within 0.02%FS $\pm$ 1digit Zero drift : within 0.2mV/°C RTI Gain drift : within 0.01%/°C
	Analog filter Low pass filter (–6dB/oct.) Select from 10, 30, 100, 300, 1k, 3k, 10k, 30kHz
A/D converter	Rate : 20000times/sec
	Resolution : 24bit (binary) Approx. 1/30000 against 5V
	Monitor output Output level: 1V output per 1V input (load resistance: 2k $\Omega$ or above)
	Rotation input
• Pulse input (open-collector)	high-speed (for standard UTMII/UTMV)
	Max. frequency Accordance with UTMII/UTMV
	Min. frequency Select from 15, 10, 5, 3, or 2 rpm (when pulse rate is 4 ppr) 60, 40, 20, 12, 8 rpm (when pulse rate is 1 ppr)
	Min. pulse width 50 $\mu$ s
	Circuit configuration:No-voltage contact input (minus common) Open collector connectable (Ic=Approx. 10mA)
	low-speed (for UTMII with rotary encoder option)
	Max. frequency Approx.1000rpm
	Min. frequency 0.1rpm
	Min. pulse width 5 $\mu$ s
	Circuit configuration:No-voltage contact input (minus common) Open collector connectable (Ic=Approx. 10mA)
Display	Display unit 3.5 inch TFT color LCD
External I/O signal	External output (8) ex) high and low limit outputs
	External input (10) ex) hold control input, digital zero input(DZ)
Interface	SIF : 2-wire serial interface
	USB : USB interface
	D3V : D/A converter voltage output (3ch) (Option)
Power supply	DC24V ( $\pm$ 15%)
Power consumption	6W typ
Operating conditions	Temperature : Operation –10°C ~ +40°C Storage –40°C ~ +80°C
	Humidity : 85%RH or below (non-condensing)
Dimension	96(W) $\times$ 96(H) $\times$ 138(D)mm (excluding projections)
Weight	Approx.1.0kg
Attachment	Operation manual···1, External input/output connector···1, Cable for connecting UTMII/UTMV (2m)···1, Operating tool (with D/A converter(3ch) option)···1
	Accessories
CE marking certification	EMC directives EN61326-1

### Structure of product code

TM700 □

① ②

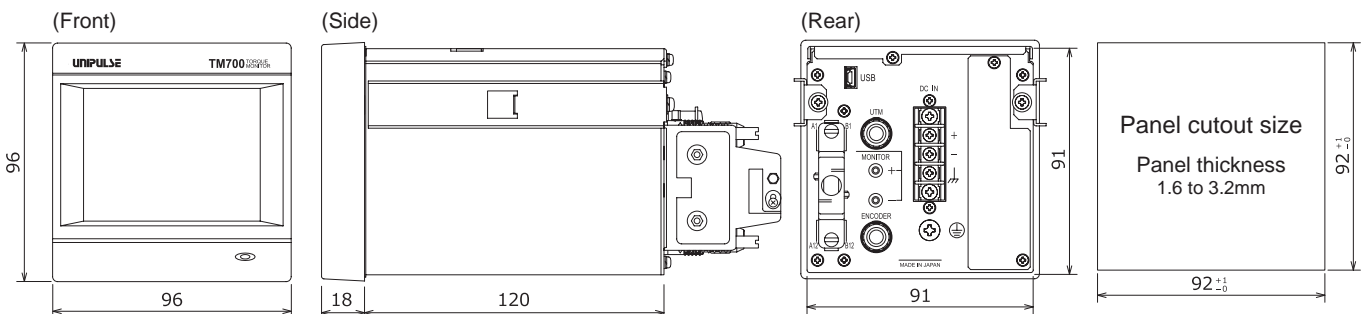
① Standard unit ② Interface

Sign	Interfac
Standard	SI/F, USB

↓ One optional interface can be added in addition the standard interface.

D3V	D/A converter(Voltage output) (3ch)
-----	-------------------------------------

### External dimension



Unit mm

### DTC2 : Case for TM700

