



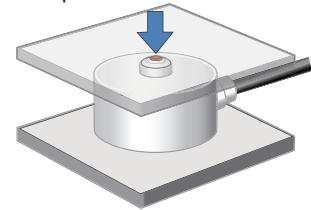
REAL SIZE

Can measure up to 20kN with diameter of 21mm!

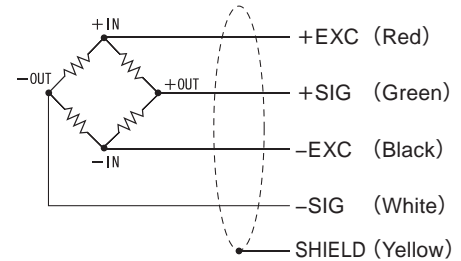
Specifications

Application example

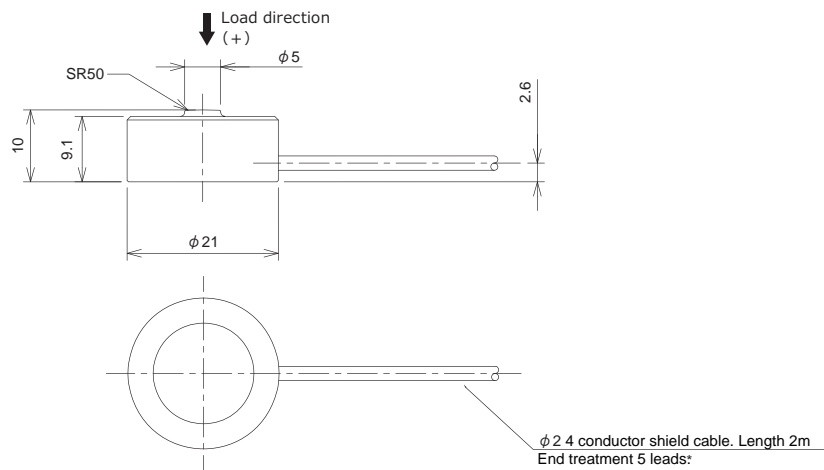
Model	UCC-10KN	UCC-20KN	
Rated capacity	10k	20k	N
Rated output	1±20%		mV/V
Safe overload	120		%R.C.
Zero balance	±10		%R.O.
Non-linearity	0.5		%R.O.
Hysteresis	0.5		%R.O.
Repeatability	0.2		%R.O.
Compensated temperature range	0 to +50		°C
Safe temperature range	-10 to +60		°C
Temperature effect on zero	0.5		%R.O./10°C
Temperature effect on span	0.5		%R.O./10°C
Input resistance	Approx. 350		
Output resistance	Approx. 350		
Recommended excitation voltage	2.5		V
Maximum excitation voltage	5		V
Insulation resistance (DC50V)	1000or more		M
Cable	φ 2 4 conductor shield cable. Length 2m End treatment 5 leads.		
Loadcell material	Stainless steel		



Wiring diagram



External dimension



Model	Deflection at rated	Natural frequency	Weight
UCC-10KN	0.030mm	54kHz	20g
UCC-20KN	0.045mm	55kHz	20g

Unit mm

* Connector can be attached to the cable according to your requests.