

UCW / UCW2 COMPACT COMPRESSION TYPE LOAD CELL



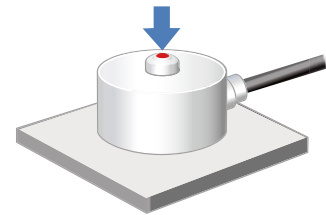
Diameter $\phi 6$ mm, Height 3.5 mm (UCW2-10N/20N)
 Diameter $\phi 7$ mm, Height 4.5 mm (UCW-50N/100N/200N/500N)
 Compact type load cell
 Suitable for installation in small space!



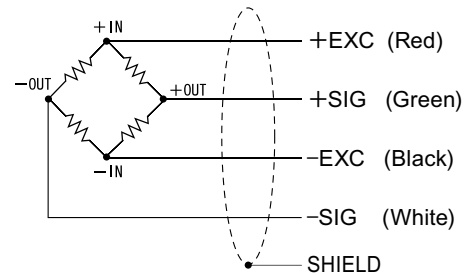
Specifications

Model	UCW2-10N UCW2-20N	UCW-50N, UCW-100N UCW-200N, UCW-500N
Rated capacity	10 N, 20 N	50 N, 100 N, 200 N, 500 N
Rated output	Approx. 0.5 mV/V	Approx. 1 mV/V
Safe overload	200% R.C.	
Zero balance	$\pm 20\%$ R.O.	$\pm 10\%$ R.O.
Non-linearity	0.3% or less R.O.	
Hysteresis	0.2% or less R.O.	
Repeatability	0.1% or less R.O.	
Compensated temperature range	0 to $+60^{\circ}\text{C}$	
Safe temperature range	-10 to $+70^{\circ}\text{C}$	
Temperature effect on zero	1% R.O./ 10°C or below	0.5% R.O./ 10°C or below
Temperature effect on span	1% R.O./ 10°C or below	0.5% R.O./ 10°C or below
Input resistance	Approx. 350 Ω	
Output resistance	Approx. 350 Ω	
Recommended excitation voltage	2.5 V	
Maximum excitation voltage	5 V	
Insulation resistance (DC 50 V)	1000 M Ω or more	
Cable	$\phi 1.6$ 4-conductor shield cable 0.5 m Cable end: 5 wires	
Load cell material	Stainless steel	
RoHS directives	2011/65/EU (EU)2015/863	

Application example

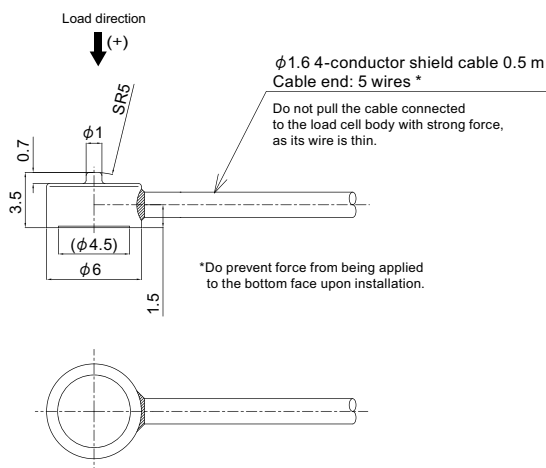


Wiring diagram

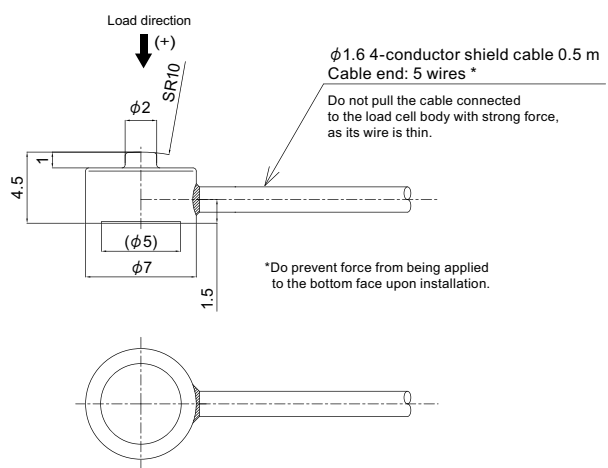


External dimension

UCW2-10N/20N



UCW-50N/100N/200N/500N



Unit: mm

Model	Deflection at rated	Natural frequency	Weight
UCW2-10N	0.003 mm	110 kHz	1 g
UCW2-20N	0.003 mm	140 kHz	1 g
UCW-50N	0.003 mm	110 kHz	2 g
UCW-100N	0.004 mm	120 kHz	2 g
UCW-200N	0.004 mm	120 kHz	2 g
UCW-500N	0.005 mm	120 kHz	2 g

* Connector can be attached to the cable according to your requests. Refer to 84 pages for details.