



Compact size load cell with high capacity

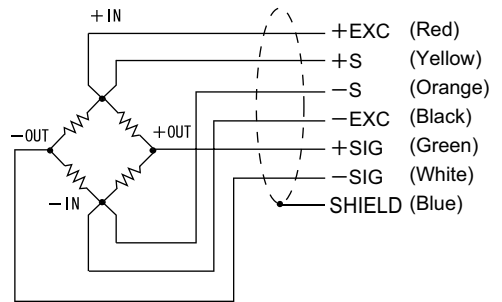


Flexible cable

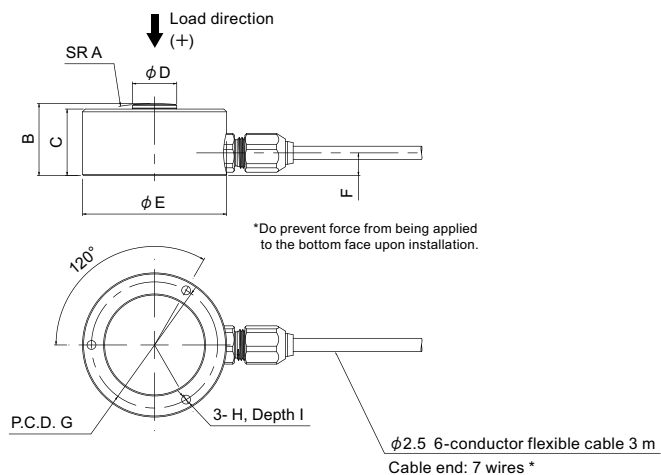
Specifications

Model	USH-10KN, USH-20KN, USH-50KN
Rated capacity	10 kN, 20 kN, 50 kN
Rated output	Approx. 1 mV/V
Safe overload	200% R.C.
Zero balance	±20% R.O.
Non-linearity	0.2% or less R.O.
Hysteresis	0.15% or less R.O.
Repeatability	0.1% or less R.O.
Compensated temperature range	-10 to +70°C
Safe temperature range	-30 to +85°C
Temperature effect on zero	0.2% R.O./10°C or below
Temperature effect on span	0.2% R.O./10°C or below
Input resistance	Approx. 1000 Ω
Output resistance	Approx. 1000 Ω
Recommended excitation voltage	5 V
Maximum excitation voltage	7.5 V
Insulation resistance (DC 50 V)	1000 MΩ or more
Cable	φ2.5 6-conductor flexible cable 3 m Cable end: 7 wires
Load cell material	Stainless steel
RoHS directives	2011/65/EU (EU)2015/863

Wiring diagram



External dimension



Model	Deflection at rated	Natural frequency	Weight	A	B	C	D	E	F	G	H	I
USH-10KN	0.06 mm	20 kHz	100 g	40	13	12	8	26	4.1	22.75	M2	3
USH-20KN	0.07 mm	15 kHz	180 g	60	25	22	13	40	6.1	32	M4	6

* Connector can be attached to the cable according to your requests. Refer to 84 pages for details.

Unit: mm