



- A tapped hole cut in the center, can be used for both tension & compression.
- Suitable for assembling into press machine and compression & tension testing machine due to its low-profile body.
- A cable with a connector. Convenient for exchange.



Detachable cable **Flexible cable**

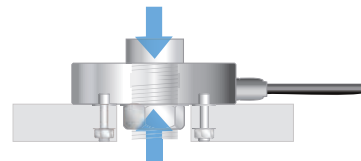
Specifications

Model	UCPI-1KN, UCPI-2KN, UCPI-5KN UCPI-10KN, UCPI-20KN	UCPI-50KN
Rated capacity	1 kN, 2 kN, 5 kN, 10 kN, 20 kN	50 kN
Rated output	Approx. 2 mV/V	
Safe overload	150% R.C.	
Zero balance	±10% R.O.	
Non-linearity	0.1% or less R.O.	0.15% or less R.O.
Hysteresis	0.1% or less R.O.	0.25% or less R.O.*
Repeatability	0.1% or less R.O.	
Compensated temperature range	-10 to +60°C	
Safe temperature range	-20 to +70°C	
Temperature effect on zero	0.1% R.O./10°C or below	
Temperature effect on span	0.1% R.O./10°C or below	
Input resistance	Approx. 1000 Ω	
Output resistance	Approx. 1000 Ω	
Recommended excitation voltage	10 V	
Maximum excitation voltage	15V	
Insulation resistance (DC 50 V)	1000 MΩ or more	
Cable	φ5 6-conductor flexible cable 3 m, Cable end: 7 wires	
Loadcell material	Stainless steel	
RoHS directives	2011/65/EU (EU)2015/863	

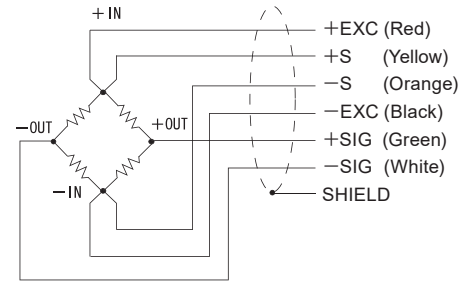
*Specification changed.

Application example

Capable of measuring axial force between bolt and nut as illustrated below, and is ideal for tension measurement of anchor!

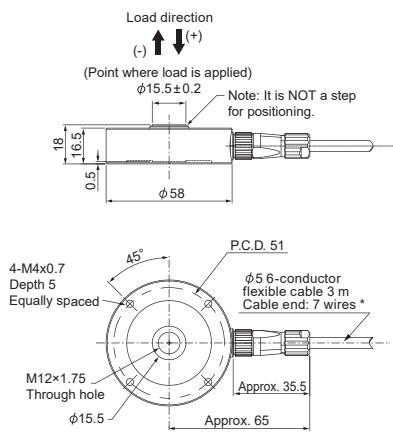


Wiring diagram

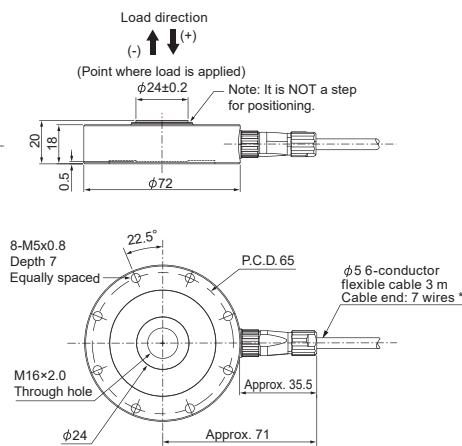


External dimension

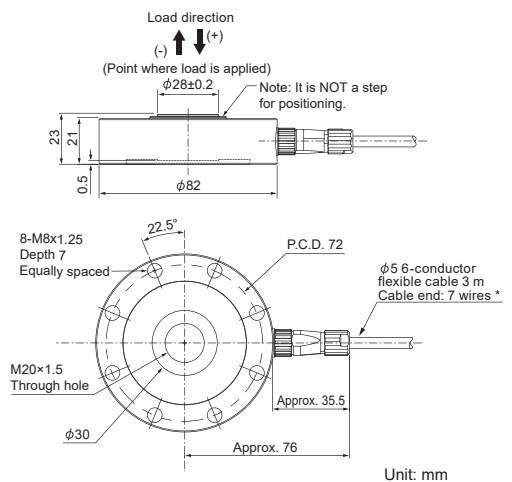
UCPI-1KN/2KN/5KN



UCPI-10KN/20KN



UCPI-50KN



Unit: mm

* Connector can be attached to the cable according to your requests.

Model	Deflection at rated	Natural frequency	Weight
UCPI-1KN	0.05 mm	5 kHz	350 g
UCPI-2KN		7 kHz	
UCPI-5KN	0.06 mm	10 kHz	410 g
UCPI-10KN	0.04 mm		
UCPI-20KN	0.05 mm	13 kHz	630 g
UCPI-50KN	0.06 mm		

Optional accessories

With the mounting flange, it is possible to mount UCPI easily to a press machine manufactured by THK.

Model	Supported product
UCPI(1-5K)-FG-PC30A	UCPI-1KN/2KN/5KN
UCPI(10-20K)-FG-PC40H	UCPI-10KN/20KN
UCPI(50K)-FG-PC60EF	UCPI-50KN

