

PW27AP

HYGIENIC SINGLE POINT TYPE LOAD CELL



Completely waterproof,
all stainless steel-made &
hermatically sealed structure
Hygienic load cell designed
for food production

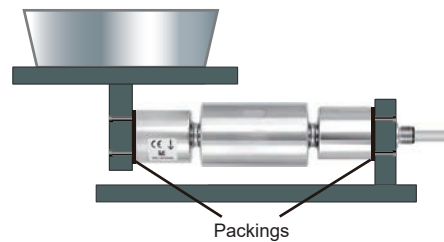
CE IP69K Detachable cable

Specifications

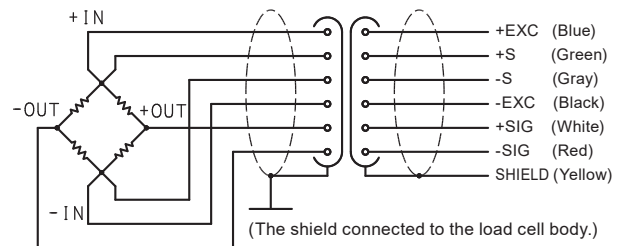
Model	PW27AP-10KG	PW27AP-20KG
Rated capacity	10 kg	20 kg
Rated output	2.0±0.2 mV/V	
Limit load at 20 mm eccentricity	1000% R.C.	
Service load at max. 120 mm eccentricity	150% R.C.	
Maximum safe side overload	200% R.C.	
Zero balance	0±0.1 mV/V	
Non-linearity	0.0166% R.O. typ.	
Hysteresis	0.0166% R.O. typ.	
Compensated temperature range	-10 to +40°C	
Safe temperature range	-10 to +70°C	
Temperature effect on zero	0.0140% R.O./10°C	
Temperature effect on span	0.0175% R.O./10°C (+20 to +40°C) 0.0117% R.O./10°C (-10 to +20°C)	
Input resistance	300 to 500 Ω	
Output resistance	300 to 500 Ω	
Recommended excitation voltage	1 to 12 V	
Insulation resistance	1000 MΩ or more	
Degrees of protection	IP68, IP69K*	
Load cell material	Stainless steel	
Cleaning temperature	Up to 120°C in 10 minutes	

* IP69K load condition: DIN 40050 part 9 compliant

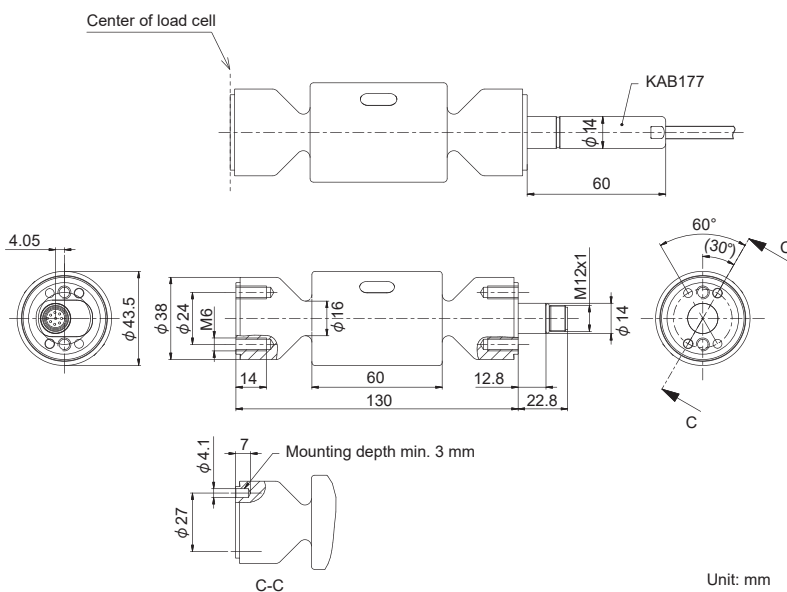
Application example



Wiring diagram



External dimension



Optional accessories

KAB177-3



φ5.4 6-conductor hygiene design cable 3 m
Cable end: 7 wires

Model	Deflection at rated	Natural frequency	Maximum platform size	Weight
PW27AP-10KG	0.19 mm	210 Hz	400×400 mm	0.8 kg
PW27AP-20KG	0.18 mm	315 Hz		