

Hybrids of eddy current and capacitive methods

Non-contact thickness meter

UMA-500-C

Ideal for such workpieces:

- Insulating films including capacitors and batteries
- Resin sheets

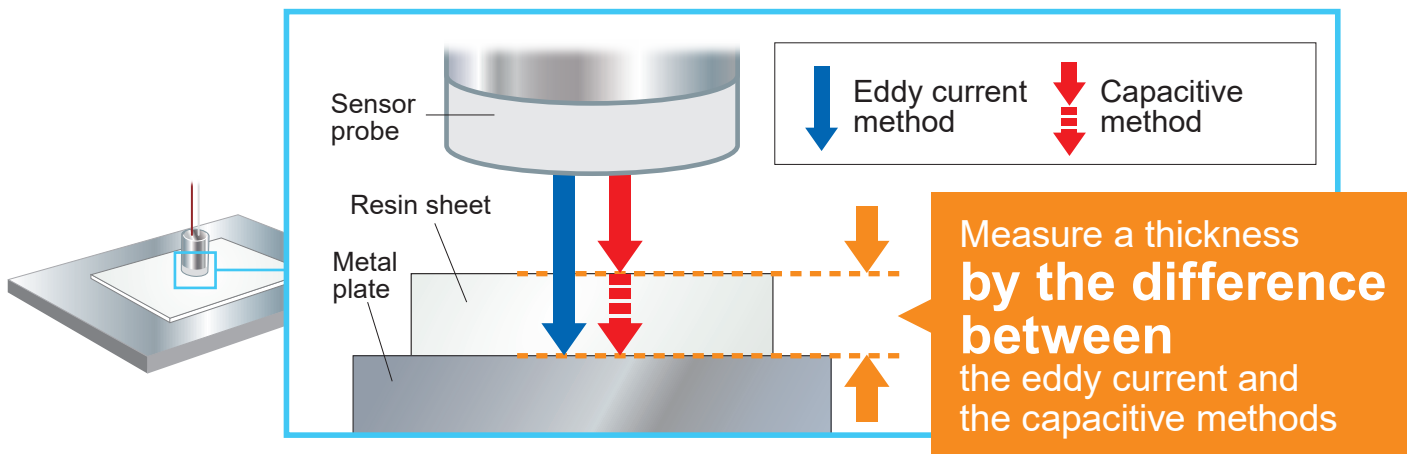


It's all right by rough positioning!

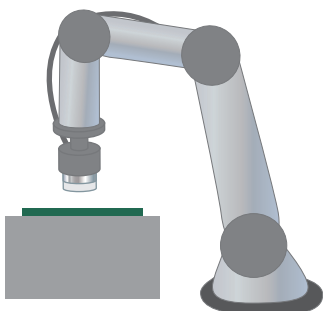
Make thickness measurement easy & with high precision!

Measurement, display, analysis and recording are possible by one unit!
Even by a rough positioning, measurements in micron order are achievable.
Easy measurements just by bringing the probe closer.

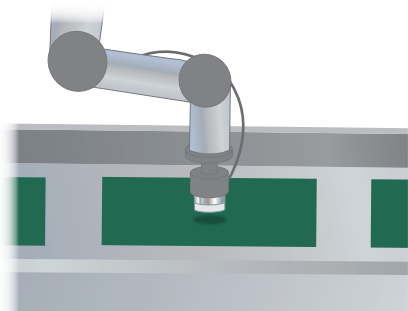
Example for thickness measurements of a resin sheet



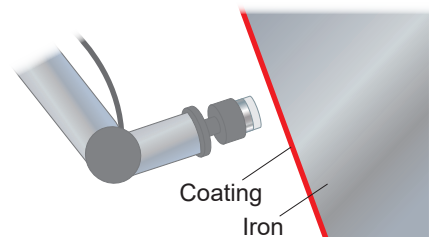
Sample application



Make a measurement by bringing it closer with a robot



Make a measurement while transporting by a conveyor



Film thickness measurement of a coating without damaging

Specifications

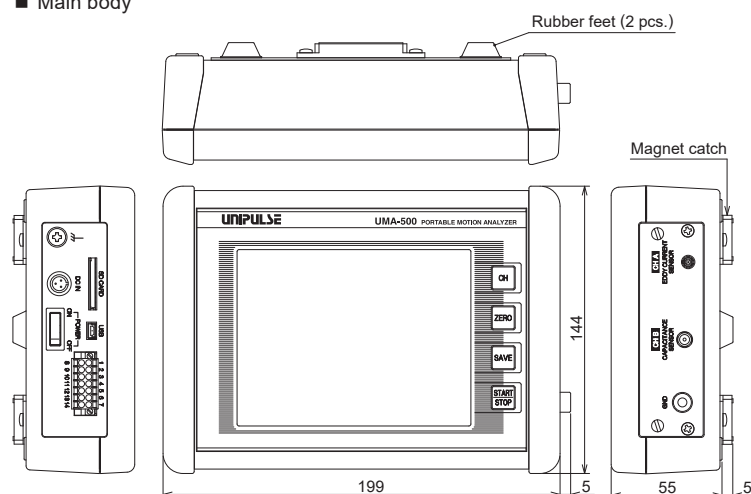
Thickness measurement range	0 to 2000 μm	Operating voltage	AC 100 to 240 V($\pm 10\%$) (Free power source at 50/60 Hz)
Resolution	1 μm	Power consumption	Approx. 10 W (65 W at power-on)
Linearity	0.1% FS	Operating temperature	+10 to +40°C
Frequency characteristic	DC to 1 kHz	Operating humidity	85% or lower (non-condensing)
A/D conversion speed	5000 times/sec, 500 times/sec, 50 times/sec (Select one)	External dimension	199(W) \times 144(H) \times 55(D) mm (Not including projections)
External input-output	Input : 2 channels Output : 2 channels Analog voltage output : 2 channels Serial communication (RS422)	Weight	Main body: Approx. 1.0 kg Probe: Approx. 240 g
Hold function	Sample / Peak / Bottom / P-P	Attachments	Tabletop stand1
DAC output	± 10 V (Single end), 2 circuits / ± 20 V (Differential), 1 circuit		Power cable (AC adapter)1
Communication method	USB interface / RS422 interface		Cable for connecting to GND (3 m)1
			Grounding brush1
			Cable for connecting ground brush (3 m) ...1
			SD card 1 Gbyte1
			USB cable (1.8 m)1

Please note that there are possibilities of individual differences in a color tone on display devices such as LEDs, fluorescent display tubes and LCDs due to manufacturing process or production lots.

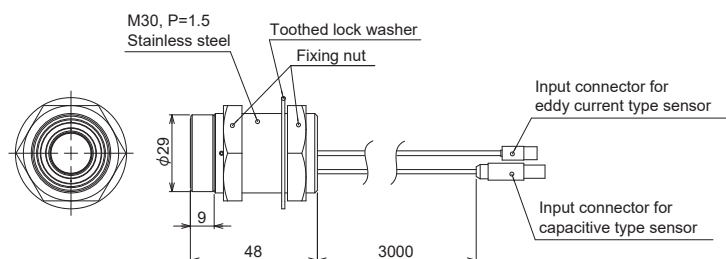
External dimension

Unit:mm

■ Main body



■ Probe



■ Tabletop stand

