

SB14

BEAM TYPE LOAD CELL



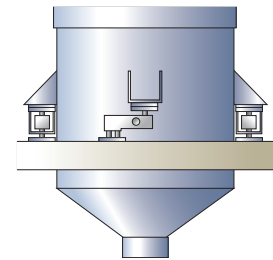
● Hermetically sealed

IP68

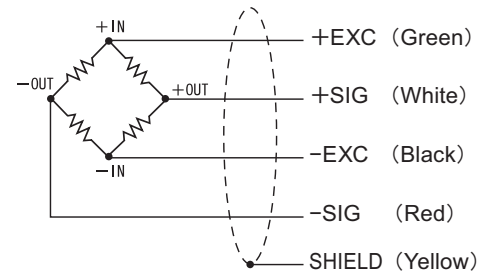
● Application Example

Specifications

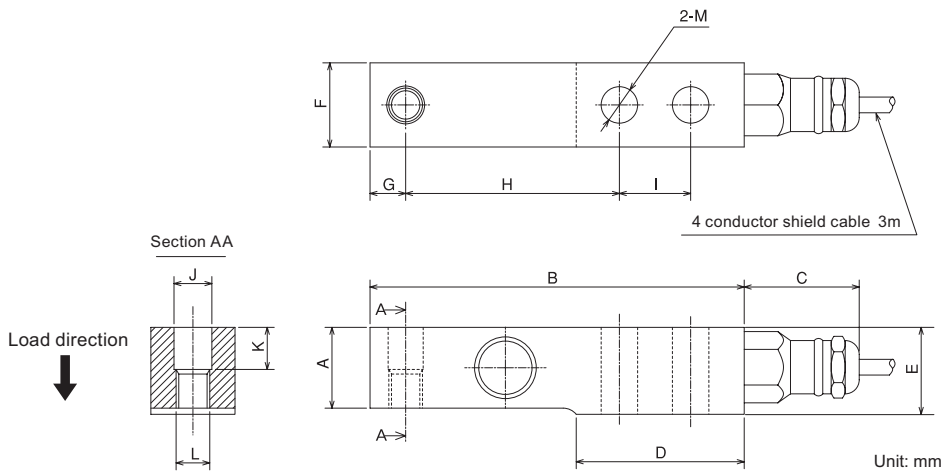
| Model | SB14-2.5KN, SB14-5KN, SB14-12KN, SB14-25KN | |
|--------------------------------|--|-------------|
| Rated capacity | 2.5k, 5k, 12k, 25k | N |
| Rated output | 2±0.1% | mV/V |
| Safe overload | 200 | %R.C. |
| Maximum safe overload | 300 | %R.C. |
| Maximum safe side overload | 100 | %R.C. |
| Zero balance | ±5 | %R.O. |
| Combined error | 0.0200 | %R.O. |
| Non-linearity | 0.0166 (typ) | %R.O. |
| Hysteresis | 0.0166 (typ) | %R.O. |
| Creep | 0.0166 | %R.O./30min |
| Compensated temperature range | -10 to +40 | °C |
| Safe temperature range | -40 to +80 | °C |
| Temperature effect on zero | 0.0122 | %R.O./10°C |
| Temperature effect on span | 0.0100 | %R.O./10°C |
| Input resistance | 1100±50 | Ω |
| Output resistance | 1000±2 | Ω |
| Recommended excitation voltage | 5 to 15 | V |
| Insulation resistance | 5000 or more | MΩ |
| Degrees of protection | IP68 | |
| Cable | 4 conductor shield cable 3m | |
| Load cell material | Stainless steel | |



● Wiring Diagram



External dimension



| Model | Weight | A | B | C | D | E | F | G | H | I | φJ | K | L | φM |
|------------|--------|------|-------|----|------|----|----|------|------|------|------|----|-----|----|
| SB14-2.5KN | 1.2kg | 28.8 | 133.4 | 41 | 59.9 | 31 | 30 | 12.7 | 76.2 | 25.4 | 13.5 | 15 | M12 | 13 |
| SB14-5KN | | | | | | | | | | | | | | |
| SB14-12KN | | | | | | | | | | | | | | |
| SB14-25KN | | 30.5 | | | | | | | | | | | | |